

VXLO Injector

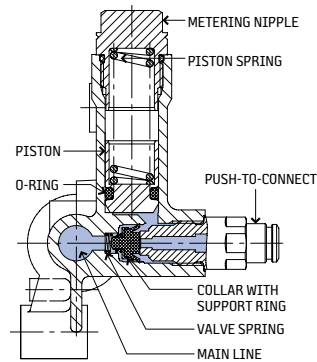
Indirect Feed

General

The VXLO Injector meters and displaces positive volumes of lubricant to individual lubrication points. Each injector in a system is independent of each other. The volume displaced by each injector is controlled by the interchangeable metering screws. These injectors are indirect feed (post fire injectors), discharging lubricant to the lubrication point via spring force when mainline pressure is relieved. The total volume of lubricant fed to each point is dependent on the metering screw rate and the cycle frequency of the lubricator.

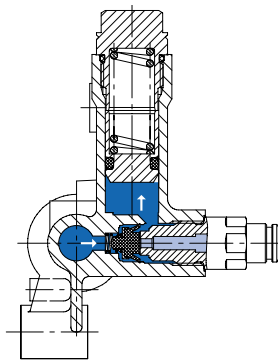
Operation

Initial Position



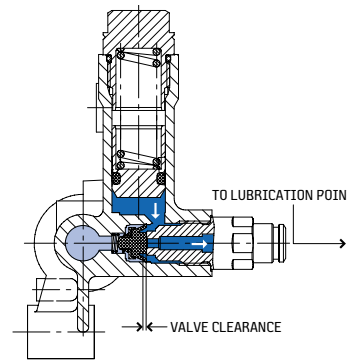
INITIAL POSITION (SYSTEM IS NON-PRESSURIZED)

Pressurized



PRESSURIZED MAIN LINE

Relieved



FEEDING MAIN LINE (RELIEVED OF PRESSURE)

Once mainline pressure begins to increase, the valve within each injector seals off the lubricant path to the discharge outlet. Lubricant is thereby stored beneath the discharge piston. As soon as mainline pressure is relieved, i.e. when the lubricator stops and the dump valve opens, the spring loaded piston delivers lubricant through the outlet to the lubrication point.

Features

- + Wide range of discharge rates
- + Quick connect outlet fittings for faster installations
- + Indirect (post fire) injectors ensure delivery of grease to loaded bushings and pins
- + Corrosion resistant finish

Technical Data

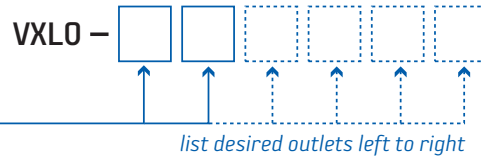
| | |
|------------------|--|
| Grease | NLGI grade 000-0 |
| Discharge | 0.1cc, 0.2cc, 0.4cc (0.006 cu. in., 0.012 cu. in., 0.024 cu. in.) 0.6cc, 0.8cc, 1.0cc (0.036 cu. in., 0.048 cu.in., 0.061 cu.in.) |
| Minimum Pressure | 290 psi (20 bar) |
| Maximum Pressure | 725 psi (50 bar) |
| Outlet Number | 2, 4 or 6 |



Refer to the following datasheets:

- + Datasheet #35583:
BL3 Lubricator
- + Datasheet #46911:
SMDC Controller

How To Order



Discharge Volume

- X– Plug
- 1– 0.1cc
- 2– 0.2cc
- 4– 0.4cc
- 6– 0.6cc
- 8– 0.8cc
- 0– 1.0cc

VXLO Injectors use a smart part numbering system that allows you to tailor the injector to meet your needs. First, choose the discharge volume for each outlet. Then, put the numbers into the corresponding squares in the easy-to-use grid. 2, 4 or 6 outlet injectors are available.

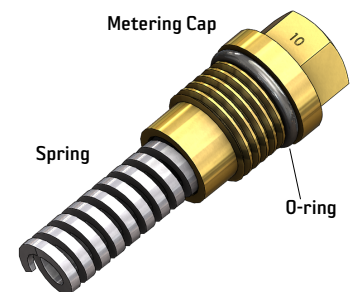
Example: To order a four outlet, VXLO Injector, where the discharge volumes are 0.1cc, 0.1cc, 0.2cc and 0.4cc, you would use Part #VXLO-1124.

Accessories

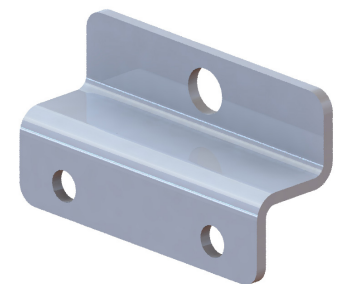
| Description | Cap Stamped with Code # | | Part # |
|--|-------------------------|----|-----------------------|
| Meter Cap Kits <i>(Includes meter cap, spring and o-ring)</i> | 0.1 cc | 10 | 36415-01 |
| | 0.2 cc | 20 | 36415-02 |
| | 0.4 cc | 40 | 36415-04 |
| | 0.6 cc | 60 | 36415-06 |
| Connector | | | 53560-1 |
| PTC outlet fitting with O-ring | | | 36444 |
| PTC Plug for injector outlets | | | AR2006 |
| Manifold inlet plug | | | 53558 ¹ |
| O-ring | | | 22100-13 |
| Washer | | | 25589-23 ² |
| Manifold inlet adapter M16X1.5 x 1/8NPTF | | | 42444-5 |
| Mounting bracket 80mm X 43mm x 25mm | | | 55390 |

¹ Order with Washer, part #25589-23.

² Order with Manifold inlet plug, part #53558.



Metering Cap kit 36415-01



Mounting bracket 55390

BIJUR DELIMON INTERNATIONAL

(919) 465 4448 LOCAL
 (800) 631 0168 TOLL-FREE
 (919) 465 0516 FAX

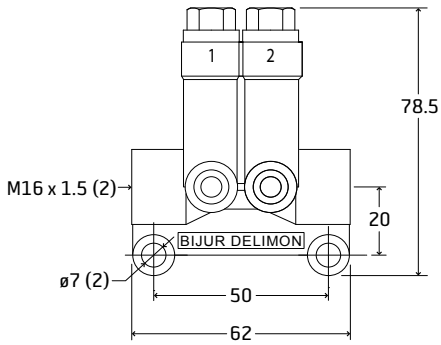
WWW.BIJURDELIMON.COM

2250 Perimeter Park Dr., Suite 120
 Morrisville, NC 27560

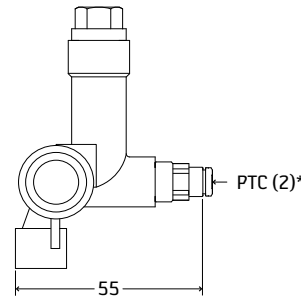
Dimensional Schematics

2 Outlet Injector

Front View



Side View

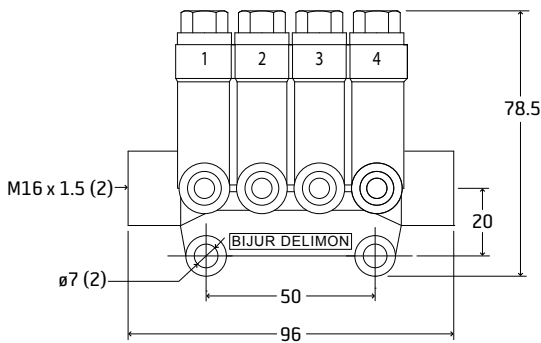


Measurements shown in millimeters.

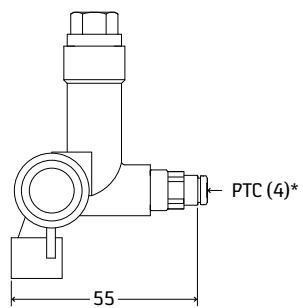
* Use 4mm tubing

4 Outlet Injector

Front View

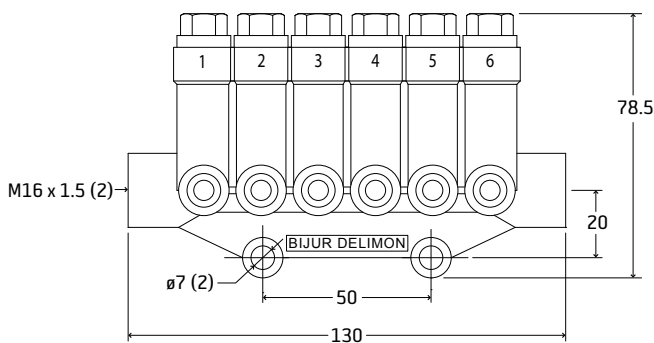


Side View

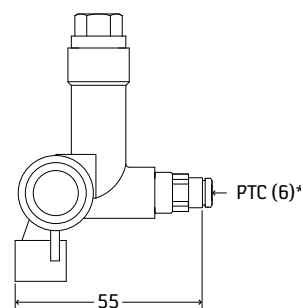


6 Outlet Injector

Front View



Side View



BIJUR DELIMON INTERNATIONAL

(919) 465 4448 LOCAL
(800) 631 0168 TOLL-FREE
(919) 465 0516 FAX

WWW.BIJURDELIMON.COM

2250 Perimeter Park Dr., Suite 120
Morrisville, NC 27560