

Product description
Pump
AUTOLUB-E

APPLICATION

In the sector of plants and machinery:
Machine tools, presses, punching machines, shears,
hoisting plants, etc.

PRODUCT CHARACTERISTICS

- Multi-line pump
- D.C. voltage drive
- Output volume: at choice
- Lubricant: oil, grease, liquid grease



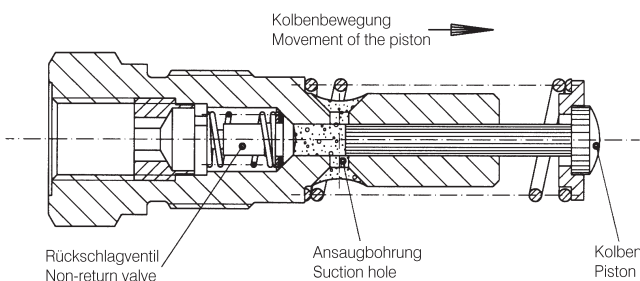
FUNCTION

Pump

The drive shaft of the geared motor drives the eccentric and the agitator. The agitator is provided with the scraper, which clears the inner wall of the bowl by rotating clockwise so that the filling level inside the bowl can be well recognized. The eccentric actuates up to 3 pump elements. The lubricant pressed into the housing by the agitator is sucked in by the pump elements and carried to the lubrication points or to the lubricant distributors via a connected lubricant line.

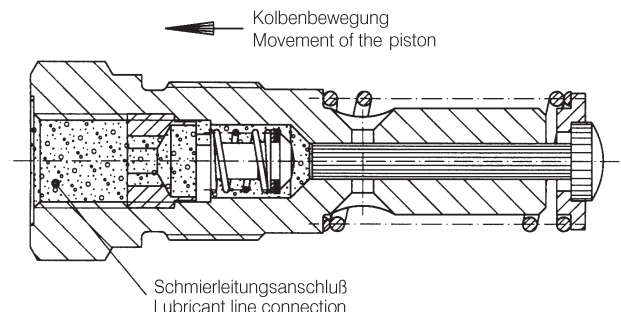
Pump element

Intake stroke



According to the eccentric position, the piston is pushed to the right by springiness so that a diminished pressure is created in the space between the non-return valve and the piston. In the course of the next intake stroke, the piston unblocks the suction holes. Now the space between the non-return valve and the piston fills with lubricant.

Pressure stroke



The eccentric pushes the piston to the left and closes the suction holes. In the course of the next pressure stroke of the piston, the lubricant pushes the non-return valve to the left, and the lubricant is pushed to the lubricant line connection.

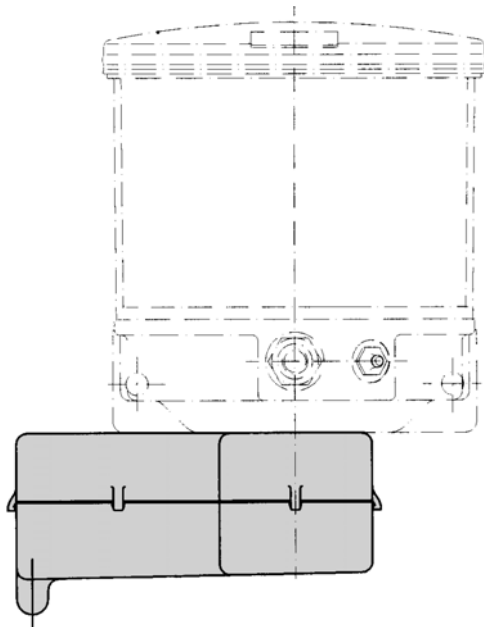


A. PUMP TYPE	Code
	ALE

B. NUMBER OF OUTLETS	Code
1 x pump element je 0.1 cm ³	01
2 x pump element je 0.1 cm ³	02
3 x pump element je 0.1 cm ³	03
1 x pump element je 0.15 cm ³	06
2 x pump element je 0.15 cm ³	07
3 x pump element je 0.15 cm ³	08
1 x pump element je 0.2 cm ³	11
2 x pump element je 0.2 cm ³	12
3 x pump element je 0.2 cm ³	13

C. REVISION	Code
Status A	A

D. KINDS OF DRIVE	Code
Geared motor DC 24 V, rated speed 18 min ⁻¹	01



E. POSITION OF DRIVE

Code

without

O

F. RESERVOIR

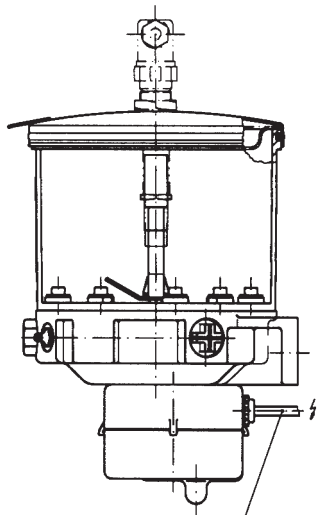
Code

2 liters, plastic

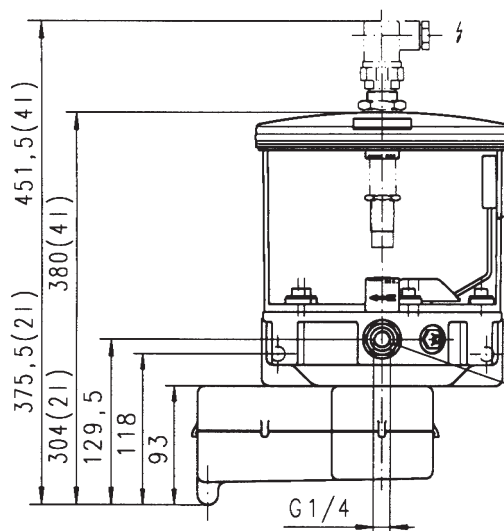
A

4 liters, plastic

B

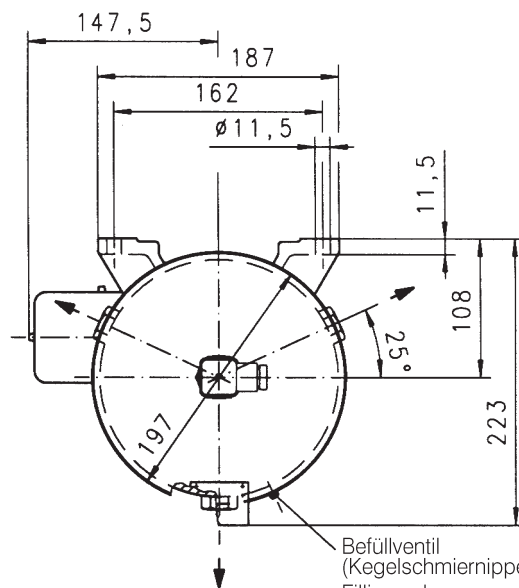


Elektroanschluß
Electric connection



Behälter:
transparenter Kunststoff
Bowl:
transparent plastic

Pumpelement
Pump element

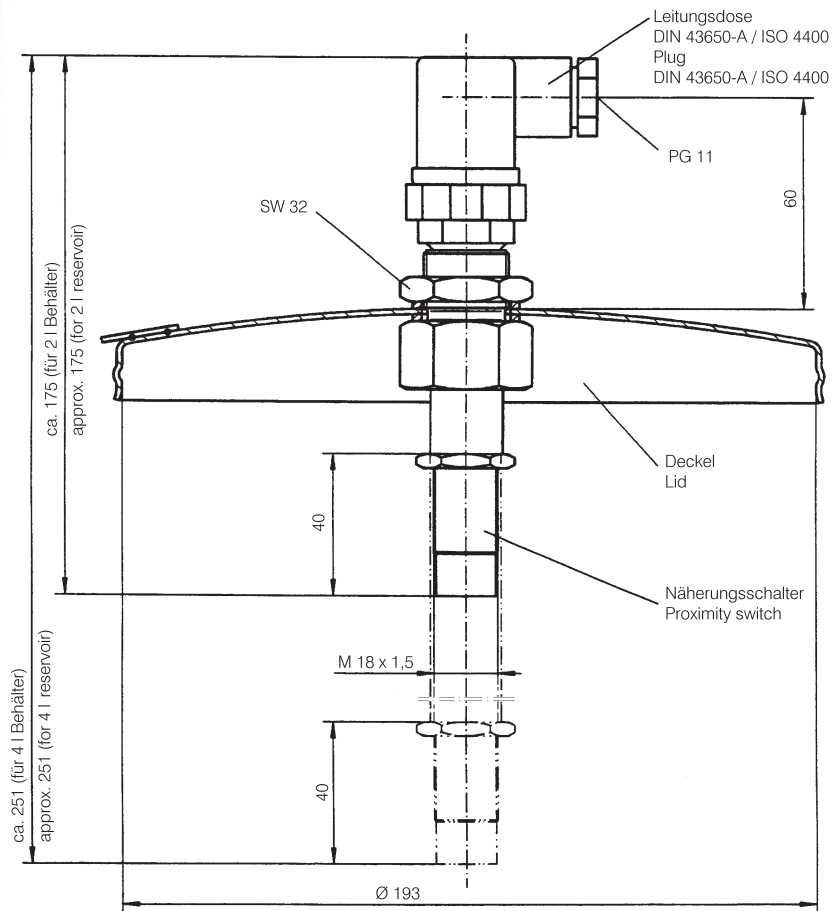


Befüllventil
(Kegelschmiernippel)
Filling valve
(conical head
lubrication nipple)

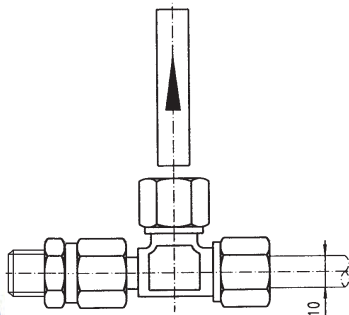
G. ACCESSORIES

Code

without	00
Low level switch min 2 and 4 liters	01
Low level switch min 4 liters	01
Filling valve with coupler plug	02
1 x pressure control 160 bar, d = 10 mm	20
2 x pressure control 160 bar, d = 10 mm	21
3 x pressure control 160 bar, d = 10 mm	03
1 x pressure control 200 bar, d = 10 mm	22
2 x pressure control 200 bar, d = 10 mm	23
3 x pressure control 200 bar, d = 10 mm	04



Low level switch min 2 and 4 liters



Pressure control

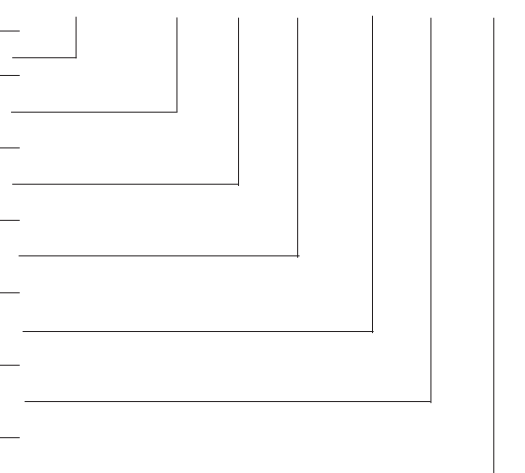


SPECIFICATION

Discharge pressure : _____ max. 250 bar
 Output volume per pump element : _____ at choice 0.1 (1.8); 0.15 (2.7) or 0.2 (3.6) cm³/stroke (cm³/min)
 Number of pump elements : _____ 1 up to 3 pieces
 Operating temperature : _____ - 20° C up to + 80° C
 Usable lubricants :
 Greases _____ based on mineral oil NLGI class 000 to 2 DIN 51818 (51825)
 Mineral oils _____ with viscosity over 68 mm²/s at operating temperature
 Synthetic and biodegradable lubricants _____ on request
 Usable bowl capacity : _____ 2 or 4 liter plastic reservoir
 Filling : _____ via conical head lubrication nipple DIN 71412, filling valve with coupler or top cover of housing
 Kinds of drive : _____ direct-current geared motor (noise-suppressed N with right-hand motion)
 24 V version:
 Nominal current at DC 24V : _____ max. 1.8 A
 Rated speed at DC 24 V* : _____ 18 ± 3 min⁻¹
 Protection system : _____ IP 54
 Electric connection : _____ 10 m connecting lead, flexible, 2 pins, 1.5 mm²
 Conductor "1" = DC 12 V / 24 V (+); Conductor "2" = earth (-)
 Installation position : _____ vertical

* Note: In case of voltage variations, the number of revolutions of the motor changes linearly to the voltage variation with equal load.

EXAMPLE OF ORDER

		Code											
		A	L	E	1	1	A	0	1	O	A	0	1
Pump type AUTOLUB-E	Code: ALM												
Number of outlets 1 x pump element per 0.2 cm ³	Code: 11												
Revision Status A	Code: A												
Kinds of drive Geared motor DC 24 V, rated speed 18 min ⁻¹	Code: 01												
Position of drive without	Code: O												
Reservoir 2 liter plastic reservoir	Code: A												
Accessories Low level switch 2 liters	Code: 01												



DELIMON

Zentrale

Arminstraße 15
D-40227 Düsseldorf
Postfach 10 20 52
D-40011 Düsseldorf
Telefon: +49 211 7774 0
Telefax: +49 211 7774 210
kontakt@bijurdelimon.com
www.bijurdelimon.com

DELIMON

Niederlassung

Am Bockwald 4
D-08344 Grünhain-Beierfeld

DELIMON

Österreich

Am Spitz 2-3 / Schloßhofer Str. 4-6
Stiege 4, Top 20
A-1210 Wien
Telefon: +43 1 585 66 17
Telefax: +43 1 585 66 17 50
kontakt@bijurdelimon.com
www.bijurdelimon.com

LUBRIMONSA

Spain

Avda. Txori-Erri 38
48150 Sondica - (Vizcaya)
Teléfono: +34 94 453 20 00
Fax: +34 94 453 25 00
spain@bijurdelimon.com
www.bijurdelimon.com

DELIMON-Denco Lubrication

DELIMON-Cooling

United Kingdom

Ramsden Court, Ramsden Road
Rotherwas Industrial Estate
Hereford, HR2 6LR
Phone: +44 (0) 1432 365 000
Fax: +44 (0) 1432 365 001
info@delimon.co.uk
www.bijurdelimon.com

BIJUR Products, Inc.

France

BP 50
ZI de Courtabœuf
5, Avenue de l'Atlantique
91942 Les Ulis Cedex
Tél.: +33 1 692 985 85
Fax: +33 1 690 776 27
contact@bijurdelimon.com
www.bijurdelimon.com

*Für reibungslose Bewegung
For smooth motion*

