

Product description

Spray nozzle

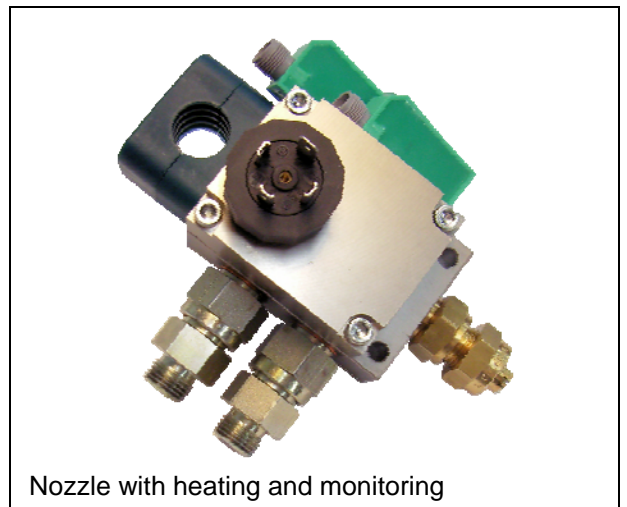
SDU

APPLICATION

The nozzle is made for spraying of lubricant on sliding surfaces.

PRODUCT CHARACTERISTICS

- Heating
- Media: for grease and oil
- separate monitoring of air and grease



Nozzle with heating and monitoring

DESIGN

... with heating

The design of the nozzle body is as mentioned before.

There is an additional thermodynamic heating mounted on the side of the housing. The heating performance is 200 Watt.

A thermostat controls the temperature $70 \pm 5^\circ\text{C}$.

... without monitoring

The spray nozzle is a mixing block in which grease or oil together with air are blown out through a nozzle. Lubricant and compressed-air are fed by tubes with 10 mm diameter. A non-return valve serves as the supply with an opening pressure of 1 bar. Different types of nozzles are available.

... with monitoring

The design is similar to the nozzle without monitoring.

For monitoring there is an additional piston in the duct for the lubricant or airstream integrated. A motion indicator activates the monitoring switch.

PRINCIPLE OF OPERATION

According to the viscosity of the lubricant the nozzle is usable without heating. In case of high-viscosity oils or low temperatures a heating is necessary.

The nozzle in combination with the heating is able to spray oils at a surrounding temperature of 20°C with viscosities up to $200.000 \text{ mm}^2/\text{s}$ at $+ 20^\circ\text{C}$.

A. NOZZLES TYPE

Code

SDU

B. NOZZLES INSERTS

Code

Flat spray nozzle straight

01

Round spray nozzle straight

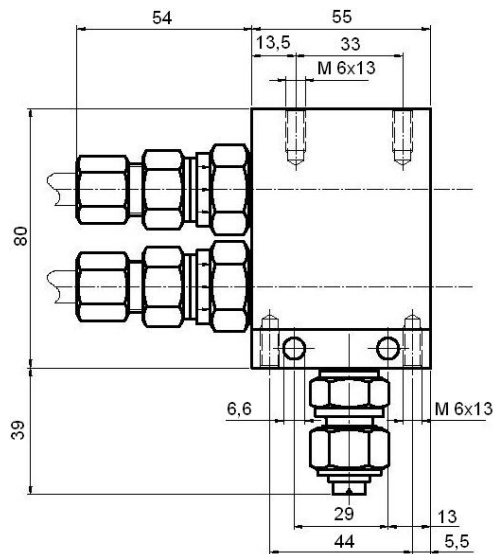
02

Flat spray nozzle 90°

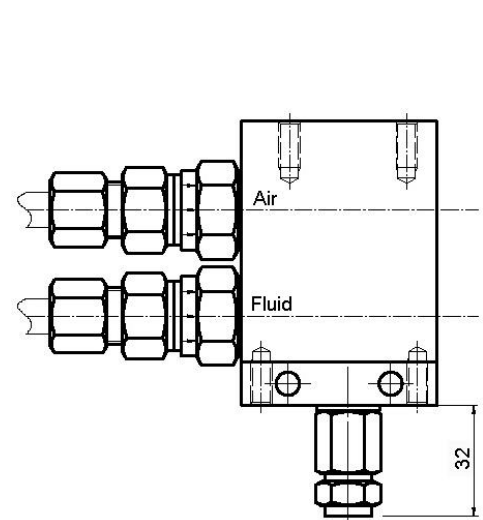
03

Round spray nozzle 90°

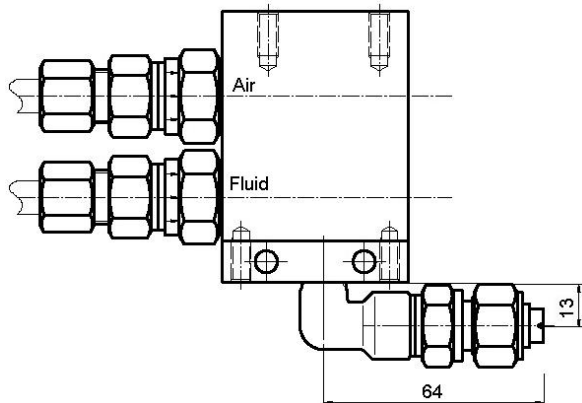
04



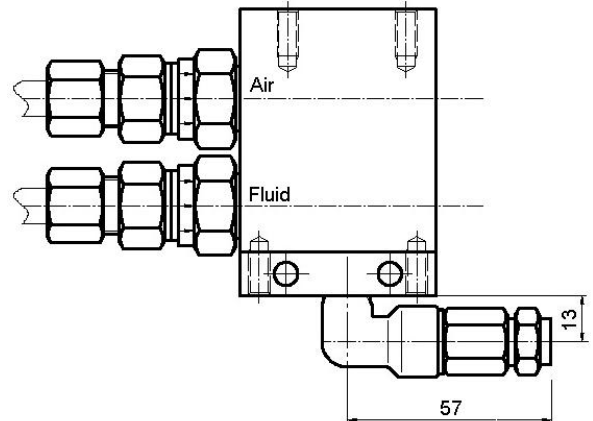
Flat spray nozzle straight



Round spray nozzle straight



Flat spray nozzle 90° *)



Round spray nozzle 90° *)

*) Delivery conditions ex works are as shown in the pictures above. The spraying direction is adjustable within an angle of 360° if required. After changing of the spraying direction you have to fix the nozzle again by gluing with the housing.

C. REVISION

Code

Status A

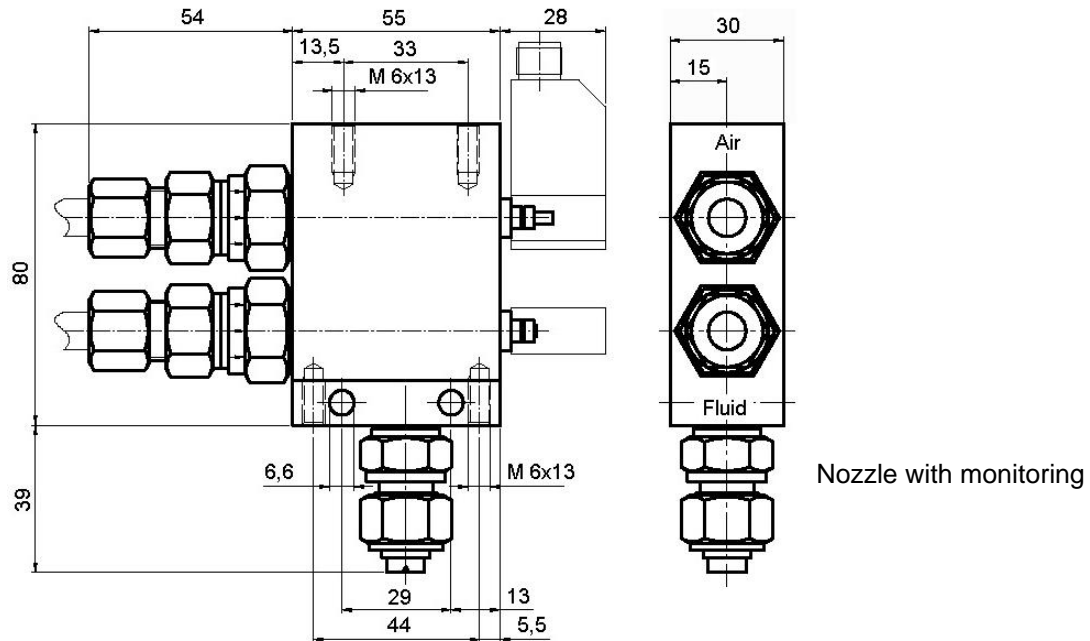
A

D. MONITORING

Code

without
Grease
Compressed air
Grease and compressed air

00
01
02
03

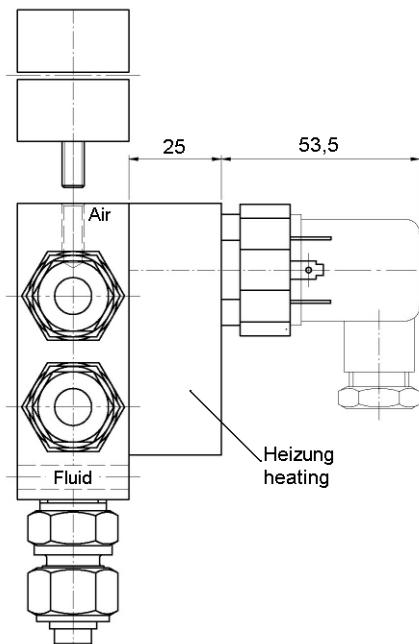


E. HEATING

Code

without
with

O
H



F. ACCESSORIES

Code

without	00
Fastening clamp (Ø 6 - 20 mm possible)	01

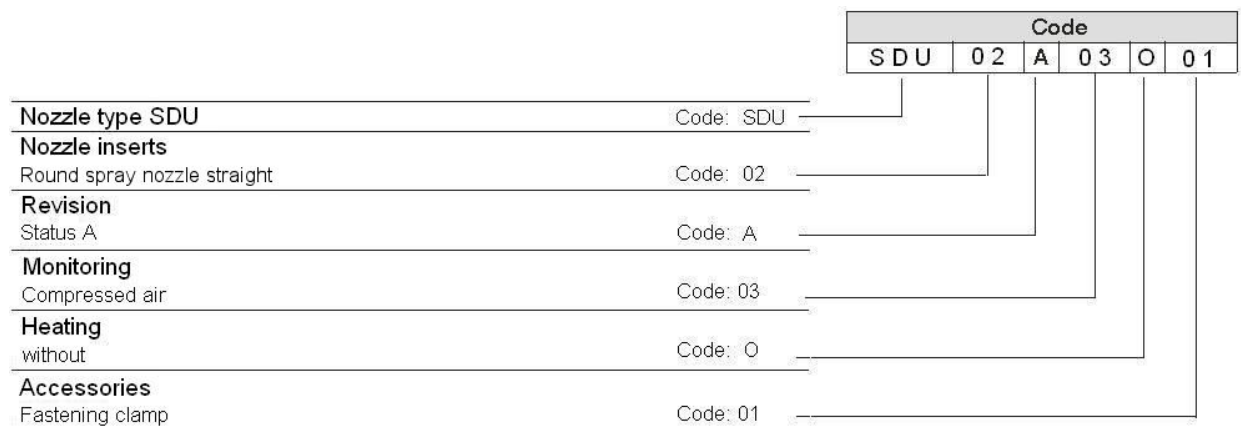
TECHNICAL DATA

Air consumption : nozzle- and pressure dependent
 Grease : up to NLGI class 3
 Oil : up to 200.000 mm²/s at 20°
 Heating : 200 watt, 115/230 V AC
 Thermostate : 70 ±5°C
 Protection class : IP 65
 Sealings : FPM
 Material for housing : Aluminium seawater resistant
 Monitoring switch : technical data see data sheet 66925 P1_GB

Maintenance:

Disassembling and cleaning with petroleum.

EXAMPLE OF ORDER



**DELIMON GmbH
Zentrale**

Arminstraße 15
D-40227 Düsseldorf
Telefon: +49 211 7774 0
Telefax: +49 211 7774 210
kontakt@bijurdelimon.com
www.bijurdelimon.com

**DELIMON
Niederlassung Beierfeld**

Am Bockwald 4
D-08344 Grünhain-Beierfeld

**DELIMON
Österreich**

Gabrielstrasse 37
A-2340 Mödling
Telefon: +43 1 585 66 17
Telefax: +43 1 585 66 17 50
kontakt@bijurdelimon.com
www.bijurdelimon.com

**LUBRIMONSA
Spain**

Avda. Txori-Erri 38
48150 Sondica - (Vizcaya)
Teléfono: +34 94 453 20 00
Fax: +34 94 453 25 00
spain@bijurdelimon.com

**DENCO Lubrication Ltd.
DELIMON-Cooling
United Kingdom**

Ramsden Court, Ramsden Road
Rotherwas Industrial Estate
Hereford, HR2 6LR
Phone: +44 (0) 1432 365 000
Fax: +44 (0) 1432 365 001
info@delimon.co.uk
www.bijurdelimon.com

**BIJUR Products, Inc.
France**

P.O. Box 50
Z.I. de Courtabœuf
9, Avenue du Québec
91942 Courtabœuf Cedex
Tél.: +33 1 692 985 85
Fax: +33 1 690 776 27
contact@bijurdelimon.com
www.bijurdelimon.com

BIJUR Lubricating Ireland Ltd.

Gort Road
Ennis, County Clare
Tel.: +35 3 65 682 1543
Fax: +35 3 65 682 0327
www.bijurdelimon.com

*Für reibungslose Bewegung
For smooth motion*