

DESCRIPTION

Measuring dividers are the essence of dualine lubrication systems. They are mounted close to the lubrication points and hydraulically operated by pressure from the first and then the second of the two supply lines. On each pressurisation cycle, they indirectly discharge fixed volumes of lubricant to the bearing etc.

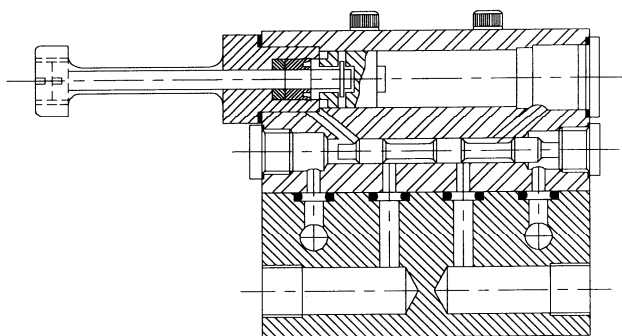
The modular dividers have many advantages over traditional line mounted models. All working parts are in the module. The modules are fitted to adaptors which are permanently piped up in the centralised lubrication system. The double discharge module DDM feeds two lubrication points on alternative system cycles.

A mixture of double and single discharge modules can be fitted to each adaptor either for assembly to serve an odd number of bearings or to give a greater lubricant quantity to selected points.

Two sizes of module can be supplied to cover a wide range of metered application volumes.

BENEFITS

- Each module can be steplessly individually adjusted within its capacity to suit the bearing requirements.
- All moving points are contained in the module.
- A malfunctioning module can be changed in seconds reducing maintenance time and costs.
- Positive hydraulic operation. Within design limitations, these valve assemblies can be mounted many metres from the pump unit.
- Visible indicator showing operation of each module.
- Body protected by corrosion resistant electrophoretic paint.
- Supplied complete with 'O' rings and stainless steel mounting screws.



DDM Modular Assembly (2 window version)

A. DIVIDER TYPE **Code**

DDM

B. METERED VOLUME **Code**

DDM 1 (0.1 – 1 cm ³)	01
DDM 1 (0.1 – 1 cm ³) DBL (double indicator)	11
DDM 5 (0.5 – 5 cm ³)	05
DDM15 (3 – 15 cm ³)	15

C. REVISION **Code**

Status A A

D. METERING **Code**

without	00
Motion indicator with cover DDM 1 (3 window version, adjustable dosing)	01
Motion indicator with cover DDM 5 (3 window version, adjustable dosing)	05
Motion indicator with cover DDM 15 (3 window version, adjustable dosing)	15
Motion indicator with cover DDM 1 (2 window version, adjustable dosing)	21
Motion indicator with cover DDM 5 (2 window version, adjustable dosing)	25

E. ACCESSORIES **Code**

without 00

SPECIFICATION

Max. Supply Pressure		350 bar
Temperature Range		-20°C to + 80°C (with standard cover cap) Applications at higher temperature on request.
Lubricant		Oil or grease (No. 3 N.L.G.I. max.)
Materials	Body	Steel - Electrophoretically painted
	Pistons	Hardened steel
	Packing Gland	DDM 1 - Brass DDM 5 - Brass DDM15 - Steel
	Seals	DDM1/DDM5 - Viton DDM15 - Nitrile
	Indicator Stem	Stainless steel

Divider Size	Discharge Per Outlet Per Double Cycle (cm ³)	
	Maximum	Minimum
DDM 1	1.0	0.1
DDM 5	5.0	0.5
DDM15	15.0	3.0

ORDERING

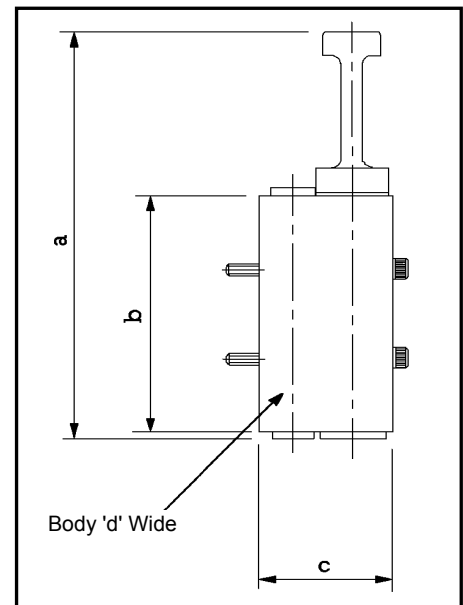
Divider Model	Stock Code	Weight (kg)
DDM1	17510	0.29
DDM5	17550	0.76
DDM15	17570	2.15
DDM1 Blank	17516	0.27
DDM5 / DDM15 Blank	17556	0.71

MOUNTING

Each module is supplied with four Viton 'O' rings and four M4 stainless steel socket headed cap screws to enable it to be fitted to the selected manifold adaptor.

DIMENSIONS

Model	Dimensions			
	a	b	c	d
DDM1	91	57	30	25
DDM5	140	80	38	31
DDM15	157	88.9	39.7	76.2



EXAMPLE OF ORDERING

		Code									
		D	D	M	0	1	A	0	1	0	0
Divider type DDM	Code: DDM										
Metered volume 0.1 – 1 cm ³	Code: 01										
Revision Status A	Code: A										
Metering Motion indicator with cover DDM 1 (3 window version, adjustable dosing)	Code: 01										
Accessories without	Code: 00										

DELIMON GmbH

Zentrale

Arminstraße 15
D-40227 Düsseldorf
Telefon: +49 211 7774 0
Telefax: +49 211 7774 210
kontakt@bijurdelimon.com
www.bijurdelimon.com

DELIMON

Niederlassung Beierfeld

Am Bockwald 4
D-08344 Grünhain-Beierfeld

DELIMON

Österreich

Am Heumarkt 10
A-1030 Wien
Telefon: +43 1 711 471 391
Telefax: +43 1 711 471 398
kontakt@bijurdelimon.com
www.bijurdelimon.com

LUBRIMONSA

Spain

Avda. Txori-Erri 38
48150 Sondica - (Vizcaya)
Teléfono: +34 94 453 20 00
Fax: +34 94 453 25 00
spain@bijurdelimon.com

DENCO Lubrication Ltd.

DELIMON-Cooling

United Kingdom

Ramsden Court, Ramsden Road
Rotherwas Industrial Estate
Hereford, HR2 6LR
Phone: +44 (0) 1432 365 000
Fax: +44 (0) 1432 365 001
info@delimon.co.uk
www.bijurdelimon.com

BIJUR Products, Inc.

France

P.O. Box 50
Z.I. de Courtabœuf
9, Avenue du Québec
91942 Courtabœuf Cedex
Tél.: +33 1 692 985 85
Fax: +33 1 690 776 27
contact@bijurdelimon.com
www.bijurdelimon.com

BIJUR Lubricating Ireland Ltd.

Gort Road
Ennis, County Clare
Tel.: +35 3 65 682 1543
Fax: +35 3 65 682 0327
www.bijurdelimon.com

*Für reibungslose Bewegung
For smooth motion*