

# Pump Autolub-M

## Product description

### APPLICATION

In the sector of plants and machinery:  
Machine tools, presses, punching machines, shears,  
hoisting plants, water pumps, etc..

### PRODUCT CHARACTERISTICS

- + Multi-line pump
- + Drive three-phase A.C. motor
- + Output volume: at choice
- + Lubricant: Oil, Grease, Liquid grease
- + Surface signal grey RAL 7004



### FUNCTION

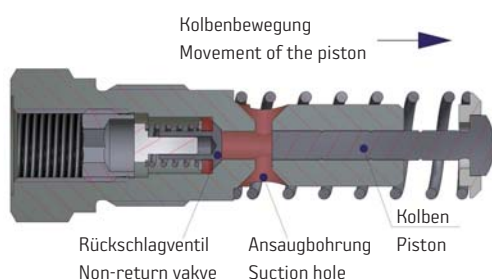
#### Pump

The motor shaft of the motors drives a screw gear via a coupling. The shaft is firmly connected to the worm wheel of the screw gear, to the eccentric and the agitator. The screw gear causes the shaft to rotate. The eccentric actuates the pump element and the agitator.

Due to its rotational motion, the agitator delivers lubricant from the tank into the housing. The lubricant that has been forced into the housing, is sucked in by the pump element and carried to the consumers via the connected lubricant line.

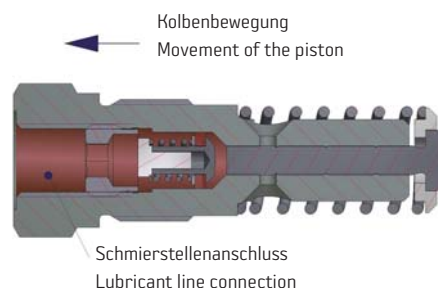
#### Pump element

Intake stroke



According to the eccentric position, the piston is pushed to the right by springiness so that a diminished pressure is created in the space between the non-return valve and the piston. In the course of the next intake stroke, the piston unblocks the suction holes. Now the space between the non-return valve and the piston fills with lubricant.

Pressure stroke



The eccentric pushes the piston to the left and closes the suction holes. In the course of the next pressure stroke of the piston, the lubricant pushes the non-return valve to the left, and the lubricant is pushed to the lubricant line connection.

**DELIMON GMBH**

(+49) 211 7774-0 TELEFON  
(+49) 211 7774-210 FAX

[WWW.BIJURDELIMON.COM](http://WWW.BIJURDELIMON.COM)

Arminstraße 15  
40227 Düsseldorf

## A. PUMP TYPE AUTOLUB-M

### Code

ALM

## B. NUMBER OF OUTLETS

- 1 x Pump element each 0.1 cm<sup>3</sup>
- 2 x Pump element each 0.1 cm<sup>3</sup>
- 3 x Pump element each 0.1 cm<sup>3</sup>
- 4 x Pump element each 0.1 cm<sup>3</sup>
- 5 x Pump element each 0.1 cm<sup>3</sup>
- 1 x Pump element each 0.15 cm<sup>3</sup>
- 2 x Pump element each 0.15 cm<sup>3</sup>
- 3 x Pump element each 0.15 cm<sup>3</sup>
- 4 x Pump element each 0.15 cm<sup>3</sup>
- 5 x Pump element each 0.15 cm<sup>3</sup>
- 1 x Pump element each 0.2 cm<sup>3</sup>
- 2 x Pump element each 0.2 cm<sup>3</sup>
- 3 x Pump element each 0.2 cm<sup>3</sup>
- 4 x Pump element each 0.2 cm<sup>3</sup>
- 5 x Pump element each 0.2 cm<sup>3</sup>

### Code

- 01
- 02
- 03
- 04
- 05
- 06
- 07
- 08
- 09
- 10
- 11
- 12
- 13
- 14
- 15

## C. REVISION

Status A

### Code

A

## D. KINDS OF DRIVE

without motor

Three-phase A.C. motor 230-260V / 400-460V, 50/60 Hz

### Code

- 00
- 01



## E. POSITION OF DRIVE

Position 1 on the right

Position 2 on the left

### Code

- A
- B

**DELIMON GMBH**

(+49) 211 7774-0 TELEFON  
(+49) 211 7774-210 FAX

[WWW.BIJURDELIMON.COM](http://WWW.BIJURDELIMON.COM)

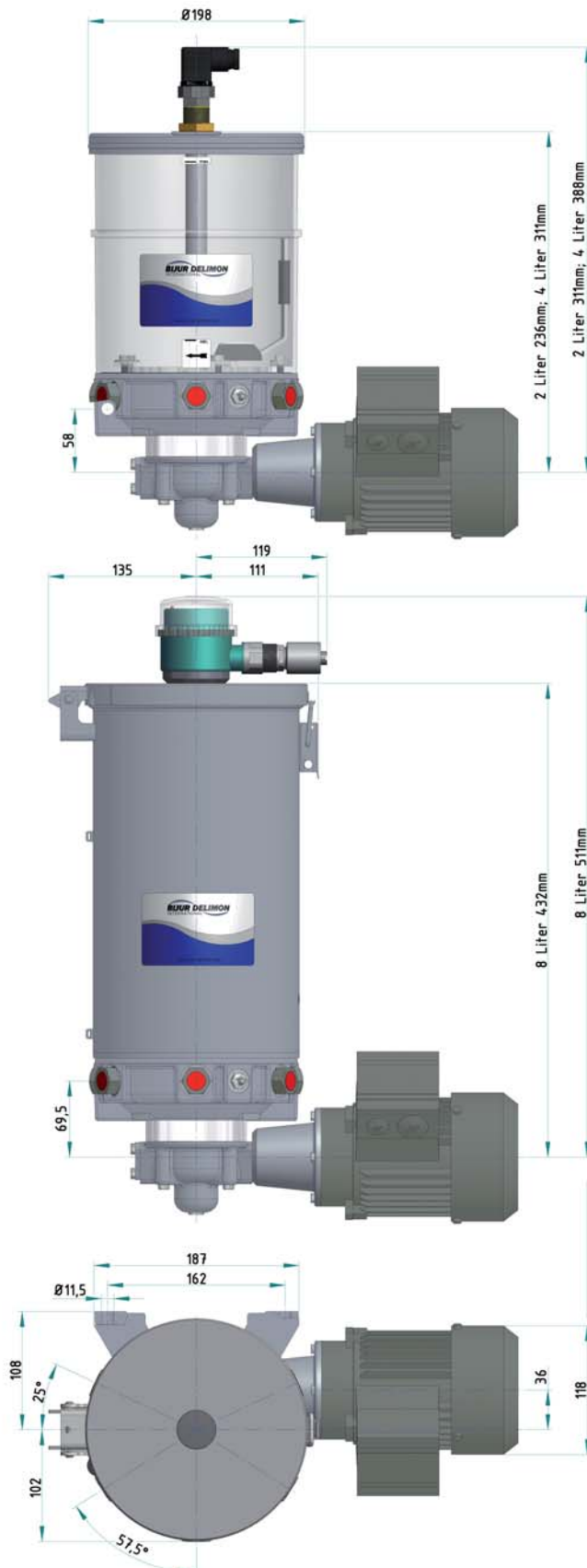
Arminstraße 15  
40227 Düsseldorf

## F. RESERVOIR

- 2 liters plastic
- 4 liters plastic
- 8 liters metal

## Code

- A
- B
- C



DELIMON GMBH

(+49) 211 7774-0 TELEFON  
(+49) 211 7774-210 FAX

[WWW.BIJURDELIMON.COM](http://WWW.BIJURDELIMON.COM)

Arminstraße 15  
40227 Düsseldorf

## G. ACCESSORIES

without

Low level switch min 2 and 4 liters

Level switch for 8 liters metal reservoir

Filling valve with coupler plug

1 x pressure control 160 bar, d = 10 mm

2 x pressure control 160 bar, d = 10 mm

3 x pressure control 160 bar, d = 10 mm

4 x pressure control 160 bar, d = 10 mm

5 x pressure control 160 bar, d = 10 mm

1 x pressure control 200 bar, d = 10 mm

2 x pressure control 200 bar, d = 10 mm

3 x pressure control 200 bar, d = 10 mm

4 x pressure control 200 bar, d = 10 mm

5 x pressure control 200 bar, d = 10 mm

1 x straight fitting GE 8 - S - G 1/4 - St. galv.

2 x straight fitting GE 8 - S - G 1/4 - St. galv.

3 x straight fitting GE 8 - S - G 1/4 - St. galv.

4 x straight fitting GE 8 - S - G 1/4 - St. galv.

5 x straight fitting GE 8 - S - G 1/4 - St. galv.

## Code

00

01

11

02

20

21

22

23

03

24

25

26

27

04

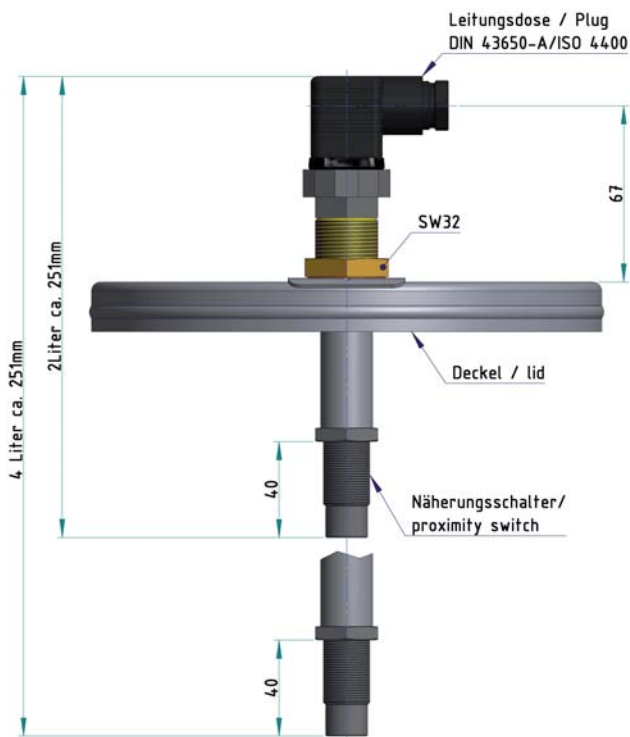
28

29

30

31

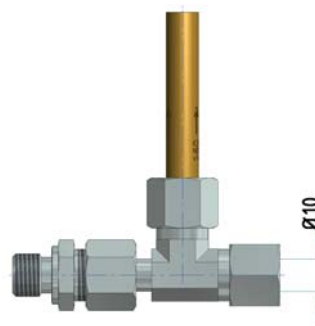
06



Low level switch min 2 and 4 liters



Level switch for 8 liters metal reservoir



Pressure control

DELIMON GMBH

(+49) 211 7774-0 TELEFON

(+49) 211 7774-210 FAX

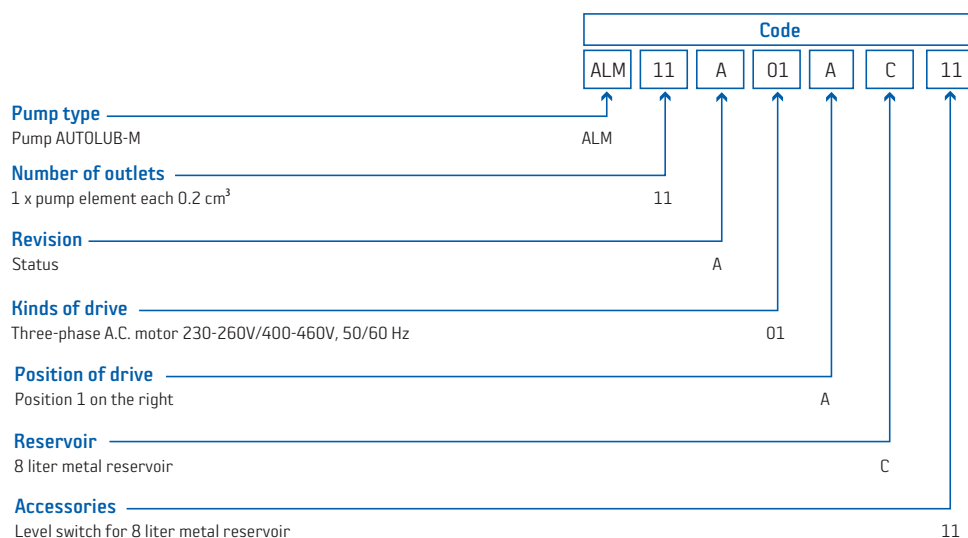
[WWW.BIJURDELIMON.COM](http://WWW.BIJURDELIMON.COM)

Arminstraße 15  
40227 Düsseldorf

## TECHNICAL DATA

Discharge pressure : ..... max. 250 bar  
 Output volume each pump element: ..... at choice 0.1 (2.2); 0.15 (3.3); or 0.2 (4.4)cm<sup>3</sup>/stroke (cm<sup>3</sup>/min)  
 Number of pump elements : ..... 1 up to 5 pieces  
 Gear reduction : ..... 60 : 1  
 Operating temperature : ..... - 20° C up to + 40° C  
 Usable lubricants:  
     Greases ..... based on mineral oil NLGI class 000 to 2, DIN 51818 (51825)  
     Mineral oils ..... with viscosity over 68 mm<sup>2</sup>/s at operating temperature  
     Synthetic and biodegradable lubricants ..... on request  
 Usable bowl capacity : ..... 2 or 4 litere plastic reservoir, 8 litere metal reservoir  
 Filling : ..... via conical head lubrication nipple DIN 71412, filling valve with coupler or top cover of housing  
 Kinds of drive : ..... motor IMB 14-C90-63-0, 18 kW-230/400V-50Hz-1500min<sup>-1</sup> and 260/460V- 60Hz -1800min<sup>-1</sup> - DIN 42677  
 Protection system : ..... IP 54  
 Installation position : ..... vertical

## EXAMPLE OF ORDER



### DELIMON GMBH

(+49) 211 7774-0 TELEFON  
(+49) 211 7774-210 FAX

[WWW.BIJURDELIMON.COM](http://WWW.BIJURDELIMON.COM)

Arminstraße 15  
40227 Düsseldorf

**DELIMON GMBH**

(+49) 211 7774-0 TELEFON  
(+49) 211 7774-210 FAX

[WWW.BIJURDELIMON.COM](http://WWW.BIJURDELIMON.COM)

Arminstraße 15  
40227 Düsseldorf